

SPECIFICATION / PART NUMBERS CW-HP9.5s



Part number: CW-HP9.5

Rated line pull: 9500 lbs, (4315 kg) single-line

Motor: 12V DC 5.5HP series wound motor

Remote Control: Remote Switch, 12' (3.7m) lead.

Wireless Remote Control: Included

Geartrain: 3-Stage Planetary.

Gear Ratio: 216:1

Clutch (freespooling): Rotating Ring Gear

Brake: Full load automatic brake installed in the motor base

Drum Diameter/Length: 2.5"/8.8" (64mm/224mm)

Wire Rope: Synthetic Rope 10mmx25m

Fairlead: Aluminum Hawse

Recommended Battery: 650 CCA minimum for winching

Mounting Bolt Pattern: 10" x 4.5" (224mm x 114.3)

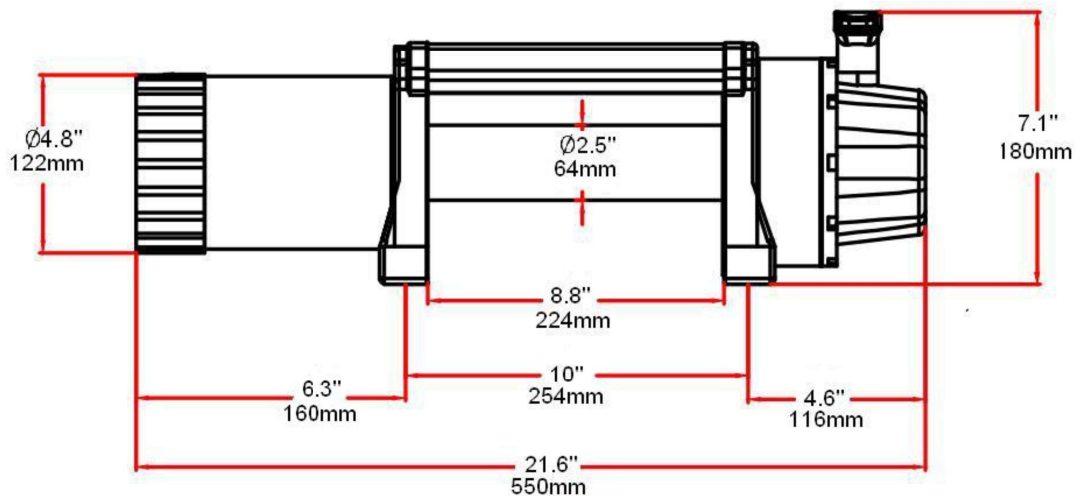
Winch Dimensions (L x W x H): 21.6' x 6.3" x 7.1" (550 x 160 x 180mm)

Packing Dimensions(L x W x H): 24.2x 14.5' x 9.8' (615 x 370 x 250mm)

Shipping Weight: 27kg (59.5lbs)

12V DC performance specs (first layer of drum)

| Line Pull Lbs.(Kgs.) | Line Speed FT./min(M/min.) | Motor Current | Pull by layer layer/Lbs(Kgs.) |
|-------------------------|-------------------------------|------------------|----------------------------------|
| 0 | 31.1 (9.5) | 70 amps | 1/9500 (4315) |
| 2000 (910) | 11.8 (3.6) | 140 amps | 2/7900(3590) |
| 4000 (1810) | 9.5(2.9) | 180 amps | 3/6580 (2990) |
| 6000 (2720) | 8.2(2.5) | 230 amps | 4/5480 (4565) |
| 8000 (3630) | 6.9 (2.1) | 275 amps | |
| 9500 (4315) | 5.9 (1.8) | 330 amps | |



SPECIFICATION / PART NUMBERS CW-HP12.0